

# MTB II Modular Tension Brakes

P-259-1  
819-0342

## Installation Instructions



An Altra Industrial Motion Company

## Introduction

The instructions on this sheet cover installation of all replacement components available for modular tension brakes. These instructions are divided into sections as designated by the introductory headlines. Please check these headings to locate the proper instruction for the replacement components being installed. Friction components, the most frequently replaced items, are found near the end of these instructions.

**⚠ WARNING** Failure to follow these instructions may result in product damage, equipment damage, and serious or fatal injury to personnel.

## Contents

Assembling Armature to Armature Carrier . . . . .	2
Installing the Armature Assembly . . . . .	3
Tapered Bushing Carrier . . . . .	3
Straight Bore Carrier . . . . .	3
Mounting the Magnets . . . . .	3
Adjusting the Armature Assembly . . . . .	4
Control Connection . . . . .	5
Servicing Friction Surfaces . . . . .	5
Rebuild Procedure . . . . .	5
Removal of the Armatures . . . . .	5
Replacement of Friction Pads . . . . .	6
Assemble and Install the Armature Assembly . . . . .	6
Wear-In . . . . .	6
Modification of Straight Bore Armature Carriers . . . . .	6
Bulk Head Mounting Brackets . . . . .	7
Direct Mounting . . . . .	8
Universal Mounting . . . . .	9
Brake Assemblies and Part Numbers . . . . .	10

## Assembling the Armature to the Armature Carrier

The beveled edge on the inside diameter of the armature is to be assembled facing the armature carrier. Tighten all screws to 7-9 ft. lbs. torque. (Figure 1)

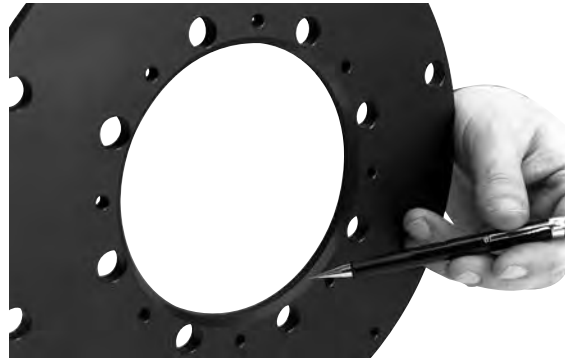


Figure 1

Using the screws and lockwashers provided with the armature(s), mount the armature(s) to the armature carrier. If a single armature is used, mount it on the appropriate side of the hub. Be sure to allow easy access to the tapered bushing. (Figure 3)



Figure 2

### Installing the Armature Assembly

Insert the tapered bushing loosely into the armature assembly and start the capscrews with their lockwashers. (Figure 3)

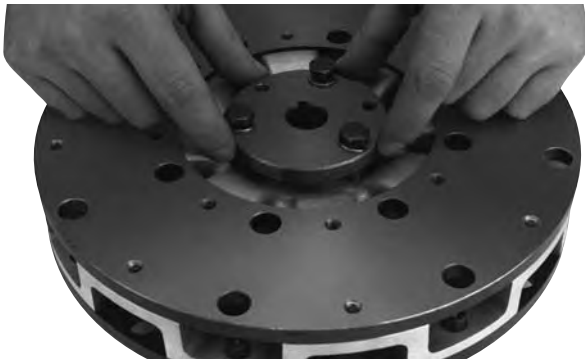


Figure 3

### Tapered Bushing Carrier

Install the key in the machine shaft keyway. (Figure 4)



Figure 4

Slide the armature carrier assembly onto the shaft to the approximate position required for operation. **Do not tighten the bushing yet** since final positioning will be required later. (Figure 5)



Figure 5

### Straight Bore Carrier

The armature carrier may be ordered with a range of standard straight bores suitable for various standard mounting products. Custom bores are also available to adapt to special devices. Consult the factory for information on modifications.

### Mounting the Magnets

If mounting brackets are used, mount the brackets to the machine frame using the holes prepared earlier. (Figure 6)



Figure 6

If a Warner magnet carrier is used, place the carrier on a horizontal surface with the pins facing up. (Figure 7)



Figure 7

If the magnets are to be free mounted, mount the pins as required according to the free mount layout.

Place the magnets on the pins with the lead wires outboard. (Figure 8)



Figure 8

Bolt the magnet carriers directly to the mounting bracket with furnished capscrews and lockwashers. (Figure 9)

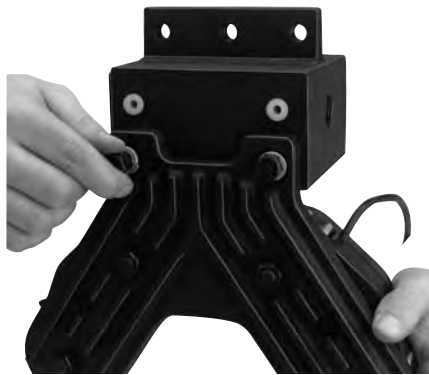


Figure 9

**Note:** If the universal mounting bracket is used AND the armature assembly has 2 armatures, the furnished spacers must be installed between the magnet carriers and bracket. Tighten all magnet carrier mounting bolts securely. (Figure 10)

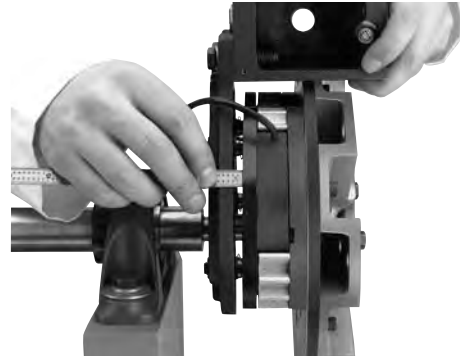


Figure 10

## Adjusting the Armature Assembly

For an armature assembly with a single armature face, position the armature assembly so the space between the back of the magnet and the magnet carrier assembly is approximately 1/4". (Figure 11)

Figure 11



For a dual armature assembly, position armature assembly for approximately equal space behind the magnets on each side. (Figure 12)



Figure 12

Tighten the armature assembly to the shaft. The maximum axial runout on either face is to be less than .015 T.I.R. (Figure 13)

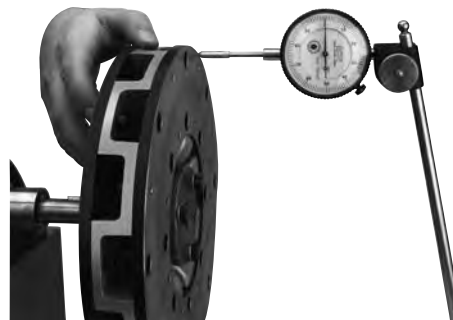


Figure 13

If the bore on the aluminum carrier has been modified, the radial runout of the aluminum carrier is not to exceed .008 inches. (Figure 14)

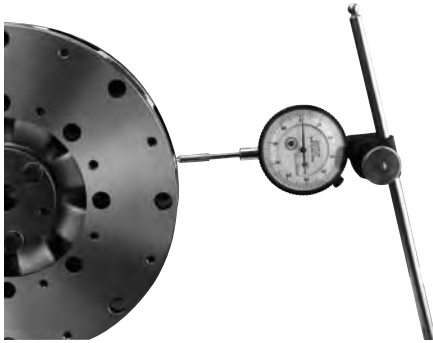


Figure 14

### Control Connection

**⚠ WARNING** Contact with live wires can cause injury or death. Be sure all power is turned off before starting the connection process.

Wire the magnets to the control in accordance with the instructions included with the control. Warner Electric offers several different systems ranging from a simple manual control through a roll follower system to several types of closed loop systems. For more information, ask for catalog P-771. (Figure 15)

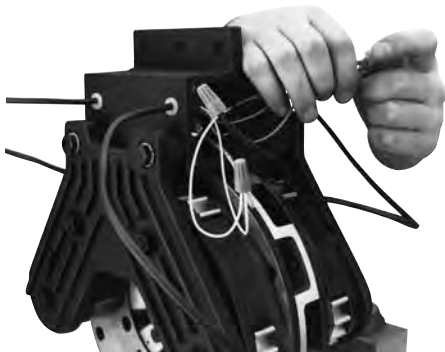


Figure 15

### Servicing Modular Tension Brake Friction Surfaces Magnet Inspection

Each magnet is supplied with visual wear indicators. When the magnet is worn to these indicators, pad replacement is required. (Figure 16)

If the magnet is supplied with an electronic wear indicator, a signal will be sent to the control to indicate replacement is required.

Both the visual and electronic wear indicators are preset to indicate replacement at 85 percent wear out, allowing 15 percent more life for planned maintenance.

**A used armature should not be resurfaced nor turned over to be used on the other side.**



Figure 16

### Rebuild Procedure

**Note:** When disconnecting and reconnecting leads to the magnet, the input power must be shut off to the control system.

### Removal of the Armatures

If required, remove the armature assembly from the shaft.

Remove the brackets and magnet carriers to gain access to the armature(s). Remove the armature face(s) with the armature in place, if possible. If machine framework or components prevent face(s) removal, the entire armature assembly may have to be separated from the brake hub and removed from the machine to access the face(s).



Since the armature and magnet faces are the only tension brake components which sustain wear, replaceable faces are offered for both, to maximize brake life. The following instructions deal with wear assessment and friction face replacement.

### Replacement of Friction Pads

Remove the old pads from the magnets. (Figure 17)

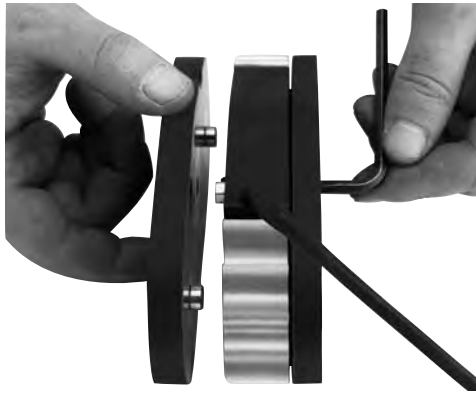


Figure 17

If the magnets are supplied with electronic wear indicators, replace the hexagon brass contacts (Warner Electric part no. 274-1029) on each magnet. Tighten to 6-8 in. lb. torque. Attach the new pads to the magnets. Tighten each screw to 7-9 ft. lbs. torque. (Figure 18)



Figure 18

### Assemble and Install the Armature Assembly

Follow the previous instructions for assembly and installation of the armature assembly.

### Wear-In

Replacement of the friction faces will require a new wear-in period as the pads seat themselves on the armature.

With a closed-loop control system, such as dancer or load cell control, no changes in torque will be apparent during wear-in. The control system will compensate for any variations.

With a manual control system, however, an unburnished brake will produce only about 75% of its fully burnished torque. If full torque is required at start-up, the brake should have a preburnish period to fully seat the magnets on the armature to provide full torque. If this is not possible, several torque adjustment settings will be required during the initial hours of on line operation. Burnishing is the process of mating the friction surfaces of a brake that is mounted and ready for service.

### Modification of Straight Bore Armature Carriers

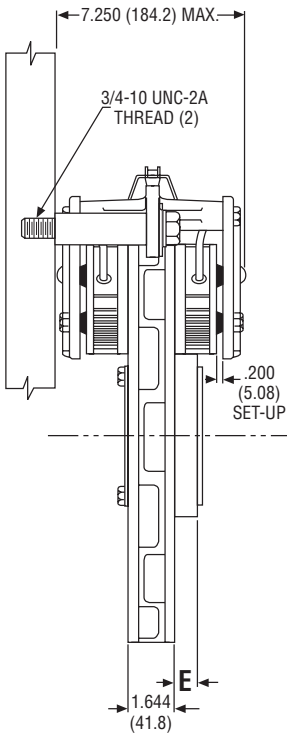
The straight bore armature carrier may be modified to accept a variety of mountings.

If a modification to the armature is required, the modified assembly must meet the following requirements. With the armature assembly fully installed on the shaft:

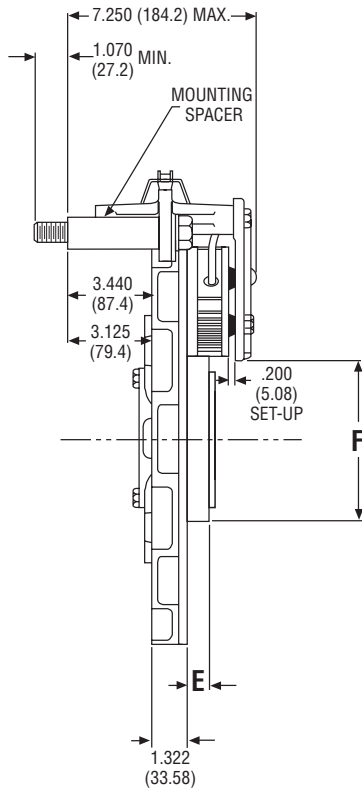
1. Maximum radial runout of the aluminum carrier is .008"
2. Maximum axial runout on either face is .015" T.I.R.

## Dimensions

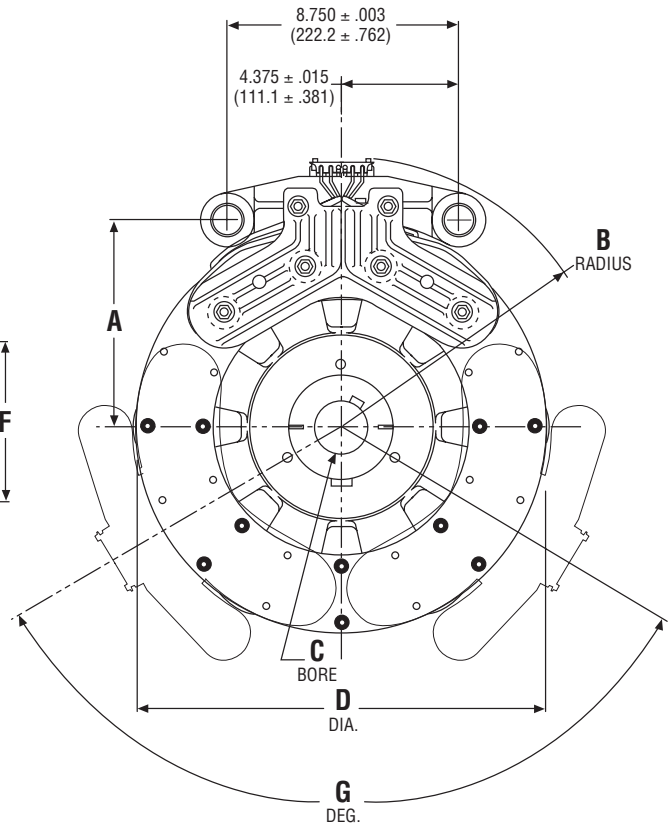
### Modular Tension Brake Bulk Head Mounting Brackets



Dual Armature



Single Armature



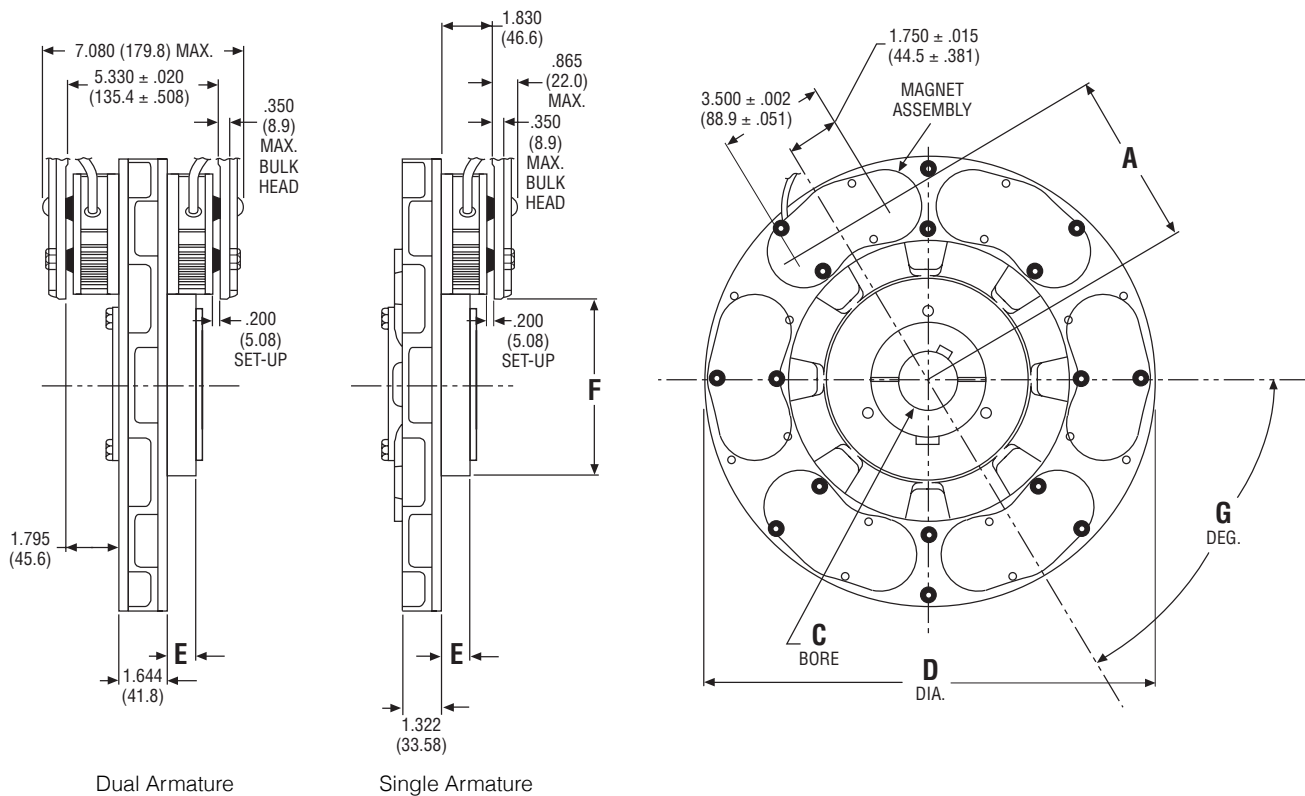
inch (metric)

All Dimensions Nominal unless specified

Armature Size	A	B Max.	C BORE		D Max.	E Max.	F Max.	G Degree
			Stock*	Bushing				
10"	5.260 ± .020 (133.6 ± 0.5)	7.750 (196.9)	1.750 (44.45)	.500-1.750 (14.0-42.0)	10.020 (254.5)	.479 (12.2)	3.55 (88.9)	180
13"	6.822 ± .020 (173.3 ± 0.5)	9.300 (236.2)	3.375 (85.73)	1.125-3.750 (28.0-95.0)	13.520 (343.4)	1.219 (31.0)	5.687 (144.4)	108 & 144
15"	7.760 ± .020 (197.1 ± 0.5)	10.230 (259.9)	3.375 (85.73)	1.125-3.750 (28.0-95.0)	15.325 (389.3)	1.219 (31.0)	6.875 (174.6)	120
20"	10.250 ± .020 (260.4 ± 0.5)	12.500 (317.5)	— —	2.375-5.500 —	20.020 (508.5)	2.720 (69.1)	4.380 (111.3)	—

\* Stock bore is straight bore for use with Trantorque bushing.

## Modular Tension Brake–Direct Mounting



inch (metric)

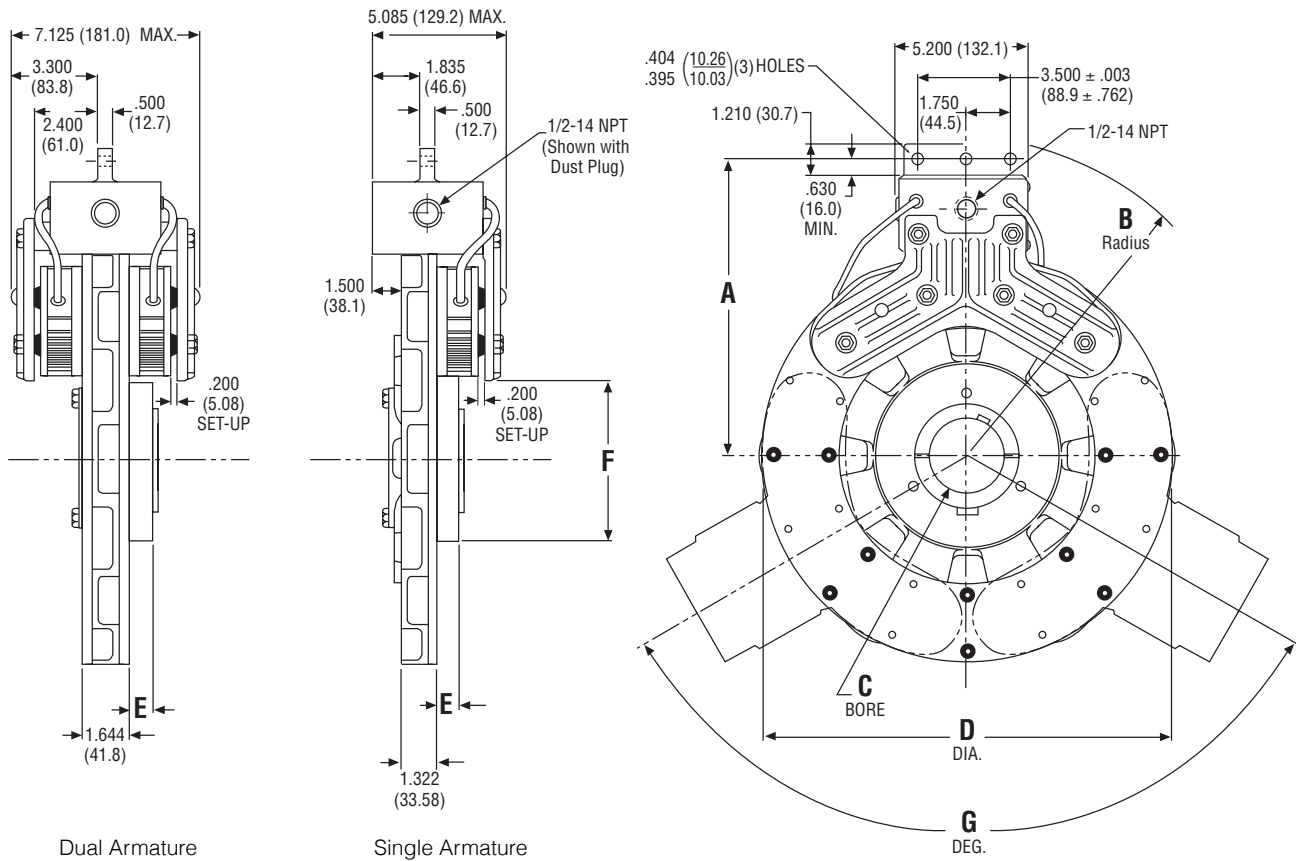
All Dimensions Nominal unless specified

Armature Size	A	B Max.	C BORE		D Max.	E Max.	F Max.	G Degree
			Stock*	Bushing				
10"	3.350 ± .020 (85.1 ± 0.5)	N/A (N/A)	1.750 (44.45)	.500–1.750 (14.0–42.0)	10.020 (254.5)	.479 (12.2)	3.550 (88.9)	120
13"	5.215 ± .020 (132.5 ± 0.5)	N/A (N/A)	3.375 (85.73)	1.125–3.750 (28.0–95.0)	13.520 (343.4)	1.219 (31.0)	5.687 (144.4)	72
15"	5.850 ± .020 (148.6 ± 0.5)	N/A (N/A)	3.375 (85.73)	1.125–3.750 (28.0–95.0)	15.325 (389.3)	1.219 (31.0)	6.875 (174.6)	60
20"	8.125 ± .040 (206.4 ± 1.0)	N/A (N/A)	—	2.375–5.500 —	20.020 (508.5)	2.720 (69.1)	—	—

\* Stock bore is straight bore for use with Trantorque bushing.



## Modular Tension Brake–Universal Mounting Brackets



Dual Armature

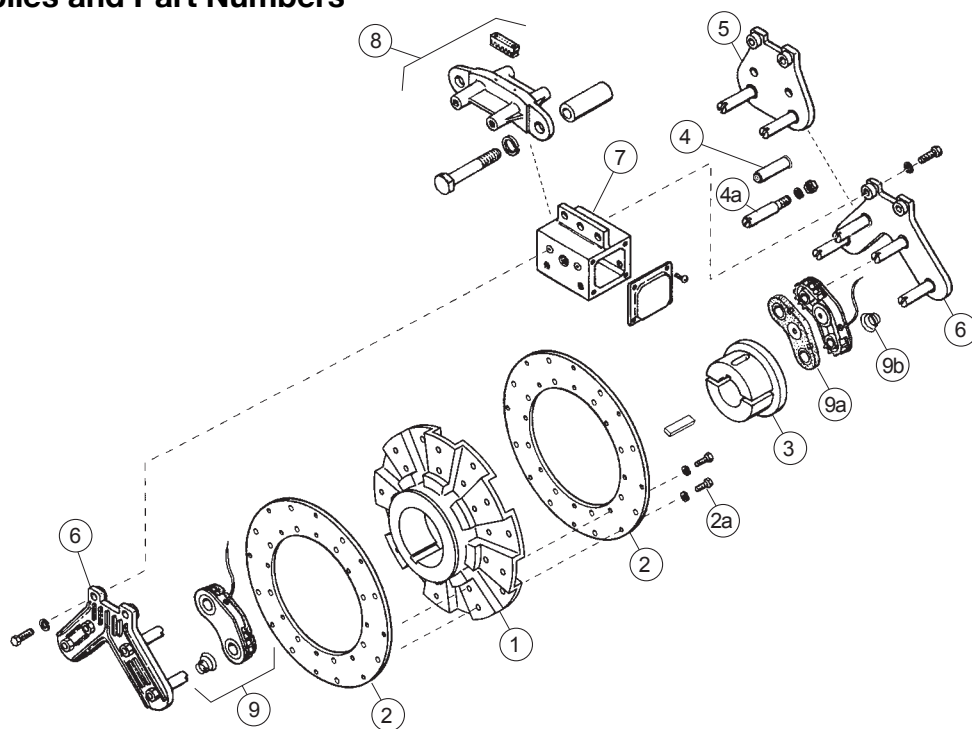
Single Armature

inch (metric)  
 All Dimensions Nominal unless specified

Armature Size	A	B Max.	C BORE		D Max.	E Max.	F Max.	G Degree
			Stock*	Bushing				
10"	8.625 ± .020 (219.0 ± 0.5)	9.500 (241.3)	1.750 (44.45)	.500–1.750 (14.0–42.0)	10.020 (254.5)	.479 (12.2)	3.550 (88.9)	180
13"	10.187 ± .020 (258.7 ± 0.5)	11.000 (279.4)	3.375 (85.73)	1.125–3.750 (28.0–95.0)	13.520 (343.4)	1.219 (31.0)	5.687 (144.4)	108 & 144
15"	11.125 ± .020 (282.6 ± 0.5)	12.000 (304.8)	3.375 (85.73)	1.125–3.750 (28.0–95.0)	15.325 (389.3)	1.219 (31.0)	6.875 (174.6)	120
20"	13.470 ± .020 (340.4 ± 0.5)	14.250 (362.0)	— —	2.375–5.500 —	20.020 (508.5)	2.720 (69.1)	4.380 (111.3)	—

\* Stock bore is straight bore for use with Trantorque bushing.

## Brake Assemblies and Part Numbers MTB II



### Part Numbers

Item	Description	10" Armature	13" Armature	15" Armature	20" Armature
1	Armature Carrier (Bushing Enters from Flush Side of Carrier as Shown)	295-0021	295-0023	295-0019	-
	Armature Carrier Reverse Taper (Bushing Enters from Extended Side of Carrier)	295-0031	295-0030	295-0029	-
	Armature Carrier (Straight Bore)	295-0026	295-0027	295-0028	-
2	Armature (Replaceable Face)	5216-101-025	5216-101-026	5216-101-024	-
2a	Armature Mounting Accessory (included with Armature)	5216-101-023	5216-101-023	5216-101-023	-
3	Bushing (Customer Supplied) Taper Bore Straight Bore	Browning P1	Browning R1	Browning R1	-
		Use Trantorque. Consult Warner Electric			
4	Female Pin Kit (includes 2 Pins)	5216-101-030	5216-101-030	5216-101-030	5216-101-030
4a	Male Pin Kit (includes 32 Pins with Nuts and Lockwashers)	5216-101-029	5216-101-029	5216-101-029	5216-101-029
<b>Magnet Carriers</b>					
5	Single Magnet Carrier Assembly	5216-295-004	5216-295-004	5216-295-004	5216-295-004
6	Dual Magnet Carrier Assembly	5216-295-005	5216-295-006	5216-295-007	5216-295-007
<b>Carrier Brackets</b>					
7	Universal Mounting Bracket, Series 10-0, 13-0, & 20-0 (2)	5216-101-020	5216-101-020	5216-101-020	5216-101-020
	Universal Mounting Bracket, Series 10-10, 13-13, & 20-20 (2)	5216-101-021	5216-101-021	5216-101-021	5216-101-021
8	Bulk Head Mounting Bracket (3)	5216-101-022	5216-101-022	5216-101-022	5216-101-022
<b>Magnets</b>					
9	Magnet Assembly, Standard	5216-631-010	5216-631-010	5216-631-010	5216-631-010
	Magnet Assembly, HICO	5216-631-013	5216-631-013	5216-631-013	5216-631-013
9a	Friction Pad, Standard (Replacement Part Only)	5216-101-028	5216-101-028	5216-101-028	5216-101-028
	Friction Pad, HICO	5216-631-031	5216-631-031	5216-631-031	5216-631-031
9b	Preload Spring (1) (Included with Magnets)	808-0008	808-0008	808-0008	808-0008
10	Magnet Assembly with Wear Indicator	5216-631-009	5216-631-009	5216-631-009	5216-631-009
10a	Friction Pad with Wear Indicator (Replacement Part Only)	5216-101-027	5216-101-027	5216-101-027	5216-101-027

(1) Two of each required for each brake magnet.

(2) Includes magnet carrier (4 & 5) mounting hardware.

(3) Includes magnet mounting hardware, bracket mounting bolts and spacers.

Browning is a registered trademark of Emerson Electric Co., Trantorque is a registered trademark of Trantorque Corporation.



## Warranty

Warner Electric LLC warrants that it will repair or replace (whichever it deems advisable) any product manufactured and sold by it which proves to be defective in material or workmanship within a period of one (1) year from the date of original purchase for consumer, commercial or industrial use.

This warranty extends only to the original purchaser and is not transferable or assignable without Warner Electric LLC's prior consent.

Warranty service can be obtained in the U.S.A. by returning any defective product, transportation charges prepaid, to the appropriate Warner Electric LLC factory. Additional warranty information may be obtained by writing the Customer Satisfaction Department, Warner Electric LLC, 449 Gardner Street, South Beloit, Illinois 61080, or by calling 815-389-3771.

A purchase receipt or other proof of original purchase will be required before warranty service is rendered. If found defective under the terms of this warranty, repair or replacement will be made, without charge, together with a refund for transportation costs. If found not to be defective, you will be notified and, with your consent, the item will be repaired or replaced and returned to you at your expense.

This warranty covers normal use and does not cover damage or defect which results from alteration, accident, neglect, or improper installation, operation, or maintenance.

Some states do not allow limitation on how long an implied warranty lasts, so the above limitation may not apply to you.

Warner Electric LLC's obligation under this warranty is limited to the repair or replacement of the defective product and in no event shall Warner Electric LLC be liable for consequential, indirect, or incidental damages of any kind incurred by reason of the manufacture, sale or use of any defective product. Warner Electric LLC neither assumes nor authorizes any other person to give any other warranty or to assume any other obligation or liability on its behalf.

WITH RESPECT TO CONSUMER USE OF THE PRODUCT, ANY IMPLIED WARRANTIES WHICH THE CONSUMER MAY HAVE ARE LIMITED IN DURATION TO ONE YEAR FROM THE DATE OF ORIGINAL CONSUMER PURCHASE. WITH RESPECT TO COMMERCIAL AND INDUSTRIAL USES OF THE PRODUCT, THE FOREGOING WARRANTY IS IN LIEU OF AND EXCLUDES ALL OTHER WARRANTIES, WHETHER EXPRESSED OR IMPLIED BY OPERATION OF LAW OR OTHERWISE, INCLUDING, BUT NOT LIMITED TO, ANY IMPLIED WARRANTIES OF MERCHANTABILITY OR FITNESS.

Some states do not allow the exclusion or limitation of incidental or consequential damages, so the above limitation or exclusion may not apply to you. This warranty gives you specific legal rights and you may also have other rights which vary from state to state.

### Changes in Dimensions and Specifications

All dimensions and specifications shown in Warner Electric catalogs are subject to change without notice. Weights do not include weight of boxing for shipment. Certified prints will be furnished without charge on request to Warner Electric.



**Warner Electric LLC**  
449 Gardner Street • South Beloit, IL 61080  
815-389-3771 • Fax: 815-389-2582  
[www.warnerelectric.com](http://www.warnerelectric.com)  
**An Altra Industrial Motion Company**